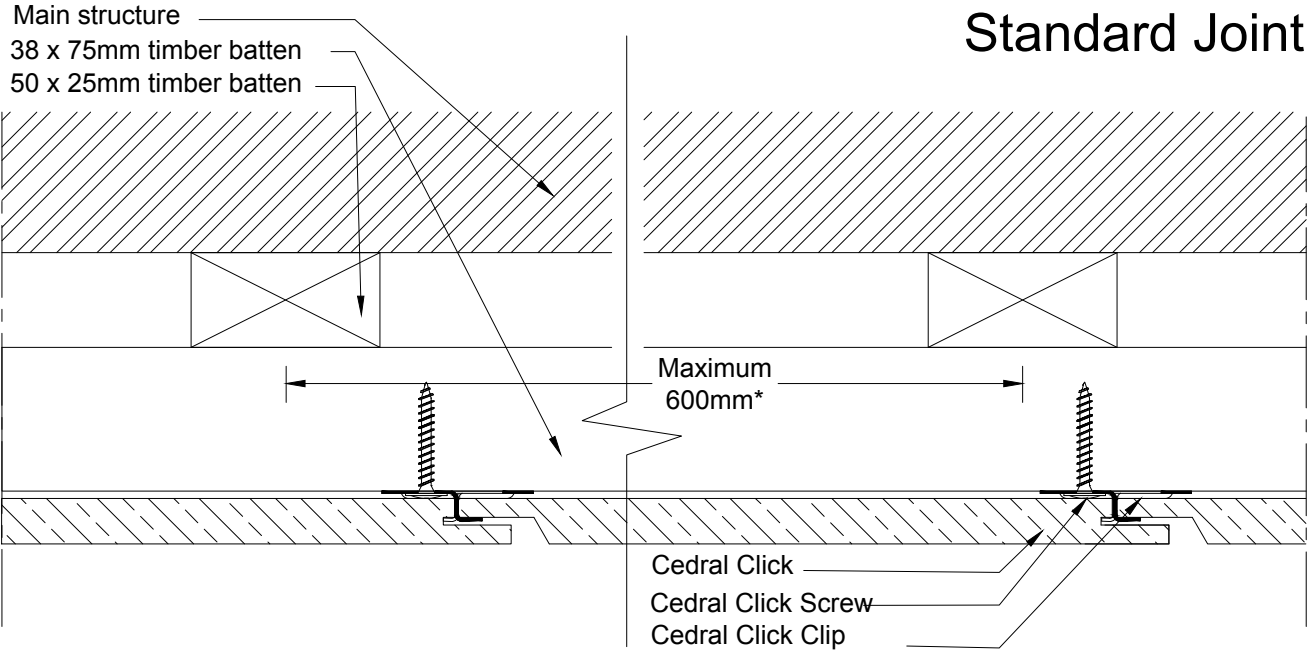


Standard Joint



* Maximum 600mm, higher wind loads require closer centers

Movement Joint

