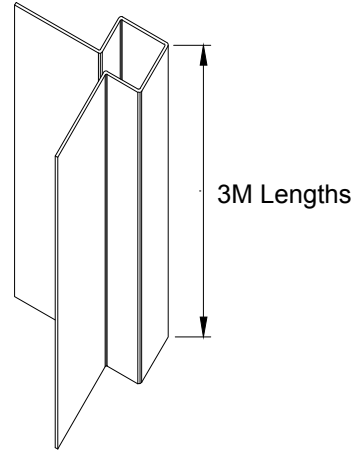


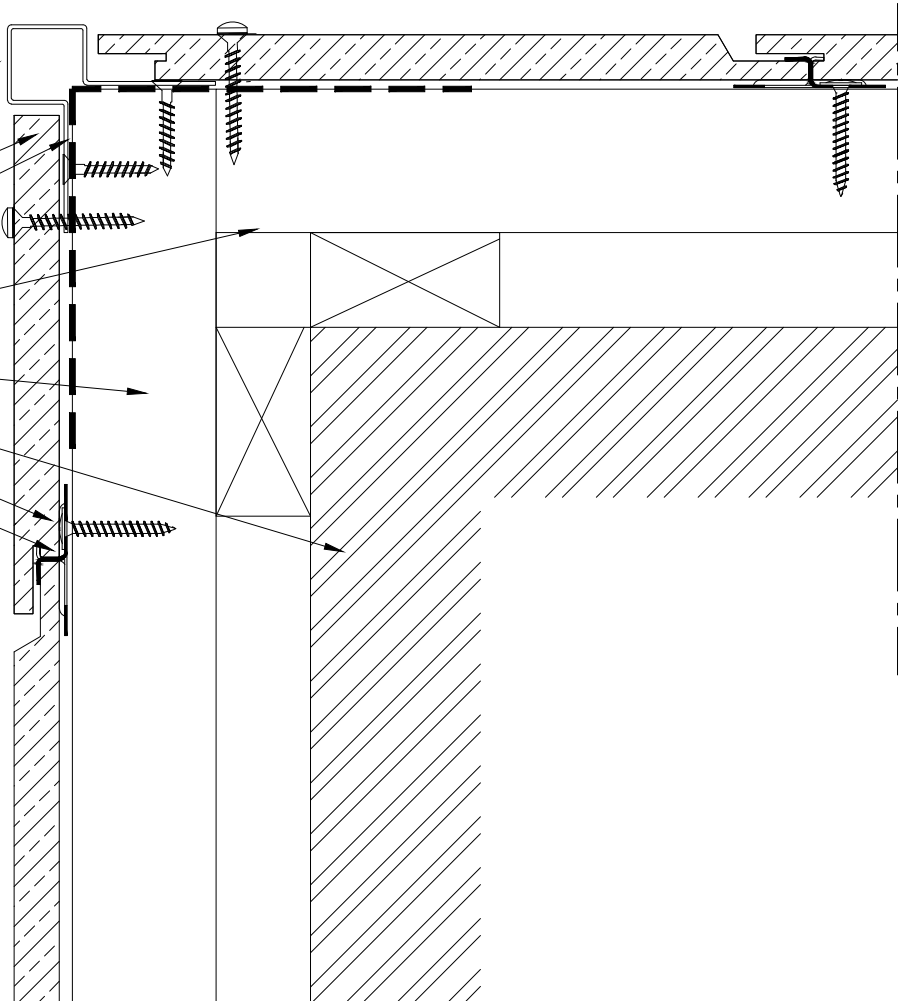
▼ Denotes external face.

External corner profile

Plan on Profile 1:1



- Cedral Click External corner
- Cedral Click
- DPM
- 38mm Colour matched Screw
- 50 x 25mm timber batten
- 75 x 38mm timber batten
- Main structure
- Cedral Click Screw
- Cedral Click Clip



Plan on Profile 1:2